



**Easy-to-see positive locking mechanism:** Enclosed locks are in full view for maximum safety. Ten useful locking heights.



**3½" diameter cylinder with four 14,500 lb aircraft quality cables:** Smaller cylinders are overworked and may leak.



**Non-sag diamond plate steel tracks:** Easy access for oil changes and underbody work.  
\* Solid platform optional



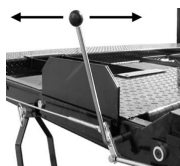
**Low-profile aluminum ramps:** Lightweight (16 ½ lb each), designed to accommodate even the lowest-riding vehicles.



**Attractive rounded posts:** Advanced geometric design provides additional strength without sacrificing space.



**Rust proof drip pans:** To protect bottom vehicle against oil drips and leaks from above. Ultra-lightweight for easy removal.



**Single point lock release:** Convenient push-down handle operation with optional air-lock release.



**Easy-glide jack tray:** For use with bottleneck jacks to do wheel and brake work.  
\*Optional accessory.

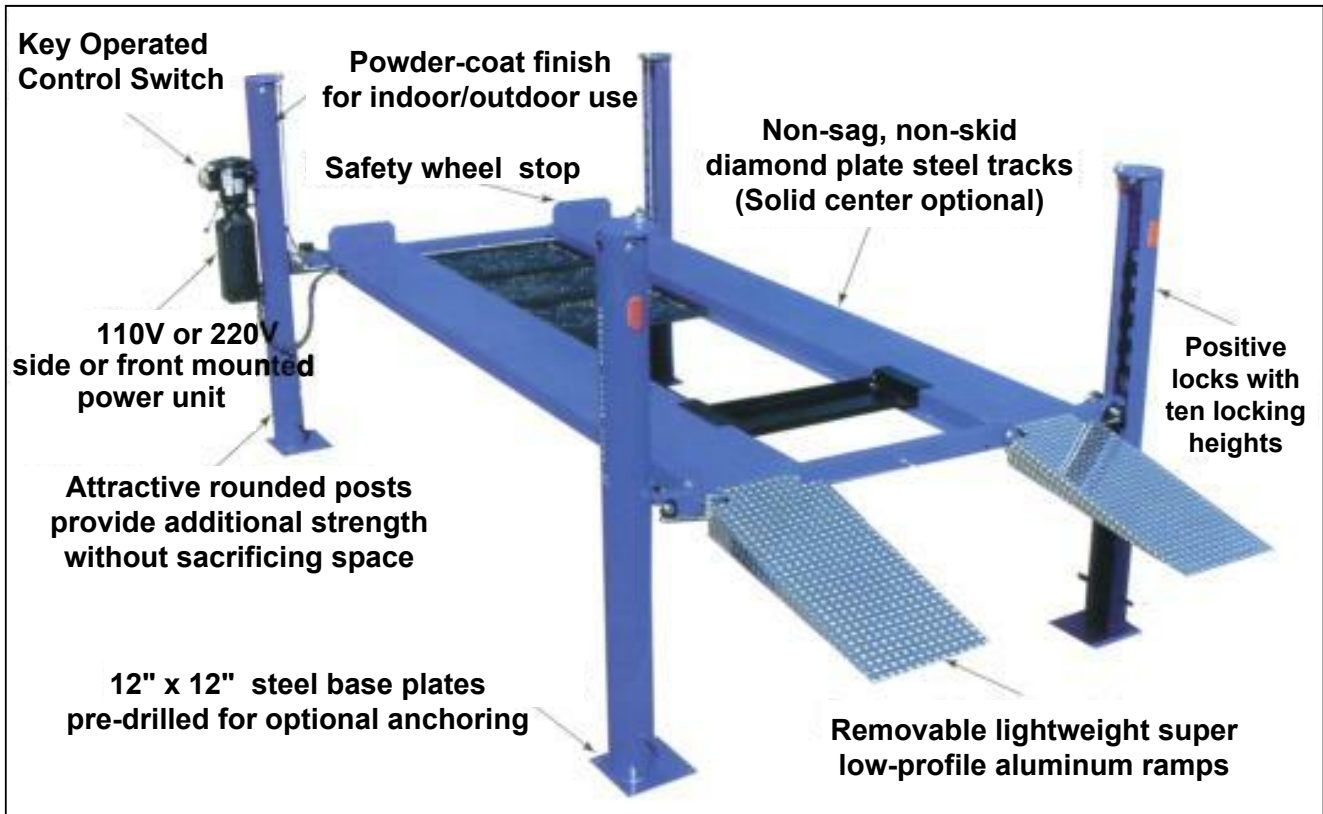
## Standard Features and Benefits

- **7,000 LB. LIFTING CAPACITY:** Effortlessly lifts most cars, vans and SUV's.
- **STATE-OF-THE-ART ROUNDED POSTS:** Advanced geometric design with multi-facet structure provides significant additional strength without sacrificing space.
- **POSITIVE LOCKING MECHANISM:** Precision-engineered locking mechanism automatically engages easy-to-see enclosed locks for maximum safety when lift is raised.
- **SINGLE-POINT LOCK RELEASE:** Releases all four locks simultaneously. Optional air lock release available.
- **BEARING IN PULLEY:** Most other lift companies offer brass or plastic sheaves, which are not designed for continuous lifting cycles and will eventually wear out. The ParkKing uses ball bearing pulleys that are designed for commercial applications where one may operate 30 plus cycles per day.
- **NON-SAG ROUNDED EDGED TRACKS (STANDARD) OR SOLID PLATFORM (OPTIONAL):** Rugged diamond plate steel or polished aluminum centers enables you to store jet-skis, bikes, tools and more. Aluminum centers are easily removable.
- **RUSTPROOF DRIP PANS:** Three free with your Park-King. Pans fit snugly between tracks to catch oil/fluid drips from vehicle above. Ultra-lightweight for easy removal.
- **LIGHTWEIGHT ALUMINUM RAMPS:** One pair free with your Park-King. Low (4" high x 36" long) profile accommodates most conventional vehicles! Each ramp weighs only 16 lbs. for easy removal (steel ramps weigh 45 lbs.).
- **EXTRA WHEEL STOPS INCLUDED:** Simply replace the removable ramps with these for safe long-term storage
- **PLENTY OF LIFTING HEIGHT:** Accommodates virtually all sport utility vehicles and mini vans. Ample headroom for doing underbody work. Std model: 67" clearance on top lock. SUV model: 77" clearance on top lock.
- **TEN DIFFERENT LOCKING POSITIONS:** Locks are positioned 4 3/8" apart, allowing you to choose the lifting height that best fits your needs.
- **HEAVY DUTY POWER UNIT:** All American made 110V or 220v power unit at no additional cost.
- **3 1/2" DIAMETER CYLINDER:** Smaller cylinders may be overworked and prone to leakage.
- **1/2 GAUGE BASEPLATE:** Most other lift companies use a 3/8" gauge base plate. These tend to warp when welded to the columns when cooling, thus causing lift to rest uneven on foundation. With the ParkKing 1/2 gauge base-plate, the lift will always rest flush which prevents the lift from swaying.
- **POWDER-COAT FINISH FOR INDOOR/OUTDOOR USE:** Your choice of red, blue or black. Custom colors available for an extra charge.
- **AIRCRAFT QUALITY CABLES:** Lift operates on four independent cables rated at 14,500 lbs. each (58,000 lb. combined cable-load capacity).
- **EASY INSTALLATION:** Do it yourself or use our nationwide professional installation service.

## Optional Accessories

- **JACK TRAY** -- for use with bottleneck jacks for doing wheel/brake work.
- **CASTERS WITH NEOPRENE-COATED WHEELS** -- to make the lift portable so you can move it around.
- **SET OF TWO REMOVABLE SOLID CENTERS** -- enables you to store bikes, lawnmowers, boxes, etc.
- **EXTRA DRIP PANS** -- (you get three free plastic drip pans with your Park-King).

▪ **EXTRA ALUMINUM RAMPS** (you get one pair free with your Park-King)



**STANDARD COLORS**



Custom colors available for additional charge

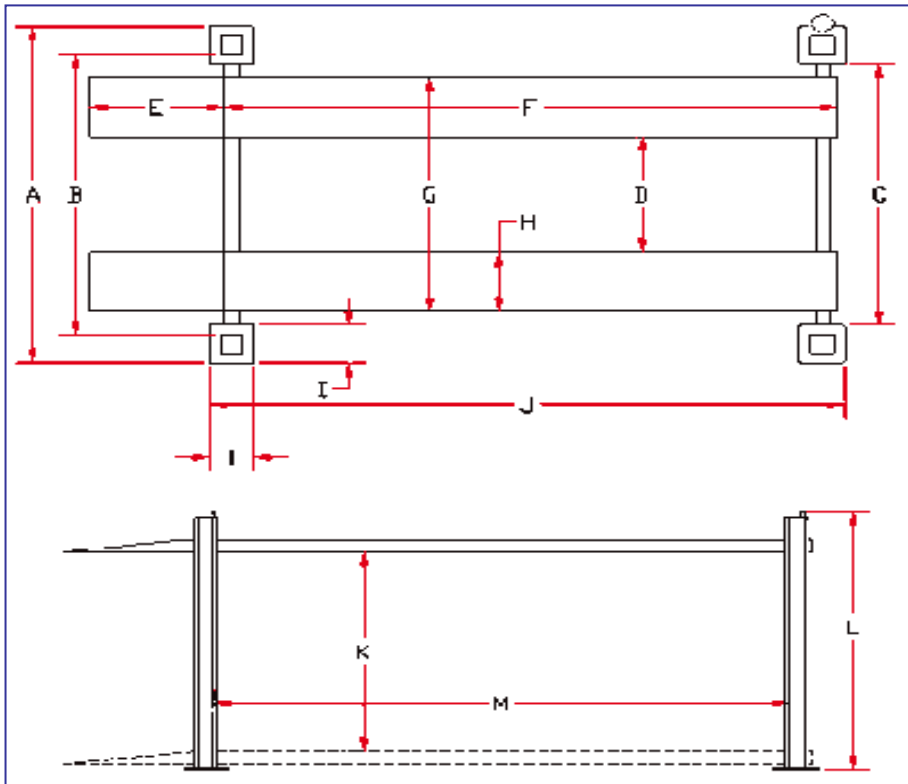
**DELIVERY**

Each ParkKing is custom built with your choice of colors and options. We will notify you as soon as your lift ships to enable your delivery coordination.

**WARRANTY**

Warranty is 10 years on the structure and 1 year on parts. Excludes damage due to misuse, neglect, unauthorized alteration or repair, and acts of God.

**TOP VIEW**



**SIDE VIEW**

**10 Locking Heights Clearance – Inches\***

Std. / Narr.	SUV
67	77
62 5/8	72 5/8
58 1/4	68 1/4
53 7/8	63 7/8
49 1/2	59 1/2
45 1/8	55 1/8
40 3/4	50 3/4
36 3/8	46 3/8
32	42
16 1/4	26 1/4

\*Accurate to 3/8"

**Your ceiling height must be at least:**

Total height of both vehicles plus 10"

Park-King MODELS:	Key	ACP-7 (Narrow)	ACP-7	ACP-7SUV
Total Width (to outside base plates)	A	106"	113 3/4"	113 3/4"
Width Between Posts	B	93"	99"	99"
Width Between Base Plates	C	81"	87"	87"
Width Between Tracks	D	38"	38"	38"
Ramp Length	E	36"	36"	36"
Track Length (without ramp)	F	160"	160"	180"
Track Outside Width	G	76"	76"	76"
Track Width	H	19"	19"	19"
Base Plate Dimensions	I	12" x 12"	12" x 12"	12" x 12"
Overall Length (to outside base plates)	J	170.75"	170.75"	190.75"
Max. Clearance (for lower vehicle)	K	67" on top lock	67" on top lock	77" on top lock
Overall Height	L	84"	84"	94"
Length Between Posts	M	151.5"	151.5"	171.5"
Lifting Capacity		7000 lbs.	7000 lbs.	7000 lbs.
Power Unit (110 V Standard)		110 V, 1 HP, 30 amp	110 V, 1 HP, 30 amp	110 V, 1 HP, 30 amp
Power Unit (High-Speed)		220 V, 2 HP, 30 amp	220 V, 2 HP, 30 amp	220 V, 2 HP, 30 amp