

ACV9 VOYAGER: 9,000 lbs. Capacity Storage & DIY/Light Duty Service 4-Post

Home Storage Lift Application



Model#: ACV9X Voyager
Extended Height Version
Portable or fixed mounted
80" under runways.

Model#: ACV9W Voyager
Extended Width Version, Portable
or fixed mounted 110" between
columns, 80" under runways



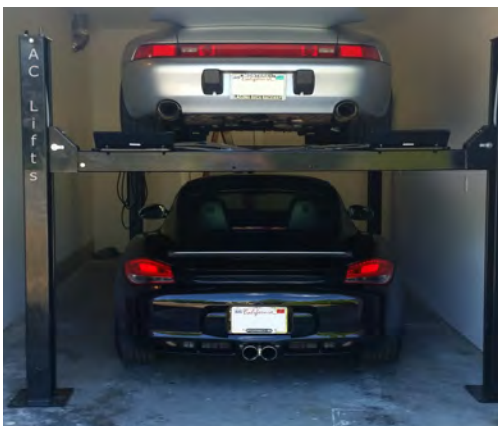
Model#: ACV9X & ACV9W

Light-Duty Service Application



Model#: ACV9 Voyager
Portable or fixed mounted 68"
under runways.

ACV7 Voyager: 7,000 lbs Capacity Storage & DIY/Light Duty Service 4-Post



Model#: ACV7 Portable or fixed mounted 63" under runways.



4-Post Home Storage Lift & DIY/Light Duty Service Lift



Model: ACV7, ACV9 & ACV9X & ACV9W

- Free standing or bolt-down option
- Formed runways with rail system, single hydraulic cylinder and commercial grade cabling system
- Formed columns with 12" base and internal locks
- Adjustable internal lock ladder for lift leveling
- "Slack cable" system provides additional security

SPECIFICATIONS	ACV7	ACV9	ACV9X	ACV9W
Lifting Capacity	7,000 lbs. (3175 kg)	9,000 lbs. (4082 kg)	9,000 lbs. (4082 kg)	9,000 lbs. (4082 kg)
Rise Height	68 1/8" ¹ (1791.7 mm)	73 1/4" ² (1680 mm)	85 1/2" ³ (2171 mm)	85 1/2" ³ (2171 mm)
Overall Width	100 1/2" ¹ (2552.7 mm)	112 1/4" ² (2851.15 mm)	112 1/4" ² (2851.15 mm)	127 1/4" ³ (3232.15 mm)
Overall Length	195 1/2" ¹ (4965.7 mm)	209 1/2" ² (5321.3 mm)	232" ³ (5893 mm)	232" ³ (5893 mm)
Inside Columns	92 1/8" ¹ (2339.98 mm)	95" ² (2413 mm)	95" ² (2413 mm)	110" ³ (2794 mm)
Height of Columns	79 1/2" ¹ (2185 mm)	84 1/2" ² (2185 mm)	96 1/2" ³ (2451.1 mm)	96 1/2" ³ (2451.1 mm)
Width of Runways	20" ¹ (508 mm)	20" ² (508 mm)	20" ² (508 mm)	20" ² (508 mm)
Height of Runways	5 3/4" ¹ (146.05 mm)	7" ² (177.8 mm)	7" ² (177.8 mm)	7" ² (177.8 mm)
Width between Runways	38" ¹ (965.2 mm)	38" ² (965.2 mm)	38" ² (965.2 mm)	38" ² (965.2 mm)
Length of Runways	165" ¹ (4191 mm)	179 1/4" ² (4552.95 mm)	203 1/2" ³ (5168.9 mm)	203 1/2" ³ (5168.9 mm)
Approach Ramp Length	36" ¹ (914 mm)	36" ² (914 mm)	36" ² (914 mm)	36" ² (914 mm)
Motor	1 HP	1 HP	1 HP	1 HP
Voltage Single Phase	115/220	115/220	115/220	115/220

¹ 63" under runway (ACV7).

² 67 3/4" under runway (ACV9).

³ 80" under runway (ACV9X and/or ACV9W).

Optional Accessories:

QRJ04H



QRJ04-PK



QRJ04-PKQRJ03H: 3,500 lb. Capacity Rolling Jack

- Hand operation and rollers for ease of operation
- Provides professional wheels free service option

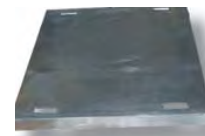
QRJ04H: 4,500 lb. Capacity Rolling Jack

- Hand operation and rollers for ease of operation
- Provides professional wheels free service option

QRJ04-PK: Air/Hydraulic Pump kit for converting QRJ04H from hand/hydraulic to air/hydraulic operation.

Q4P09CS: Caster Set

- Set of 4 casters and hardware for lift portability.



Q4P09SP: Aluminum Storage Platform Set.

- Lightweight platform creates additional storage space between runways. Set of 4.

Q4P09JT: 4,500 lb. capacity Jack Tray

- Cost effective wheels free option for use with bottle jacks (not provided).

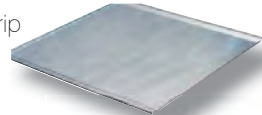


Q4P09PDT: Drip Tray Set

- Plastic Drip Trays. Set of 4.

Q4P09DT: Drip Tray Set

- Powder coated sheet steel provides drip free storage. Set of 3.



Q4P09PR Upgrade: Bolt-On Pivoting Ramps

- Upgrade to (set of 2) bolt-on pivoting ramps from standard 36" aluminum ramps

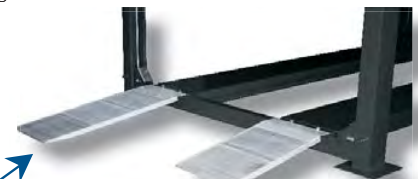
- Great for cost conscious service applications such as import car service, drive-thru lube bays, restoration or body shops where storage is not a concern.



Q4P09ER Upgrade: Extended Aluminum Ramps

- Upgrade to (set of 2) 50" aluminum ramps from standard 36" aluminum ramps

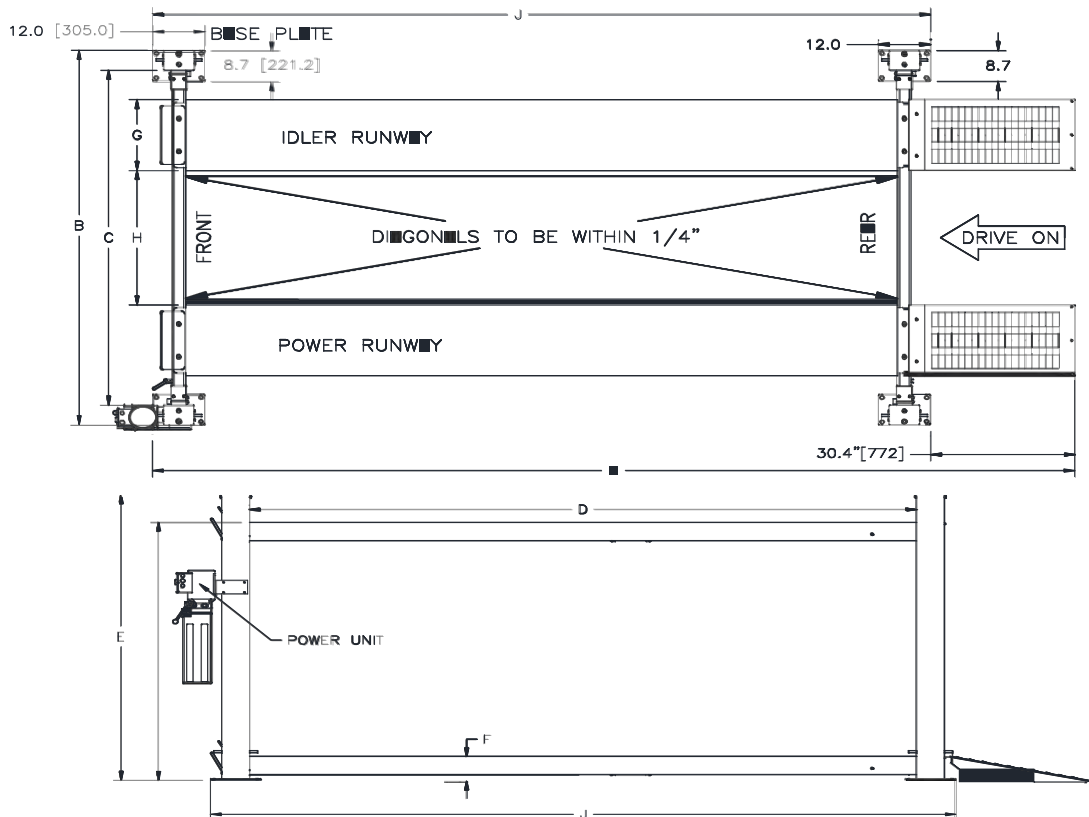
- Excellent option for low profile vehicles



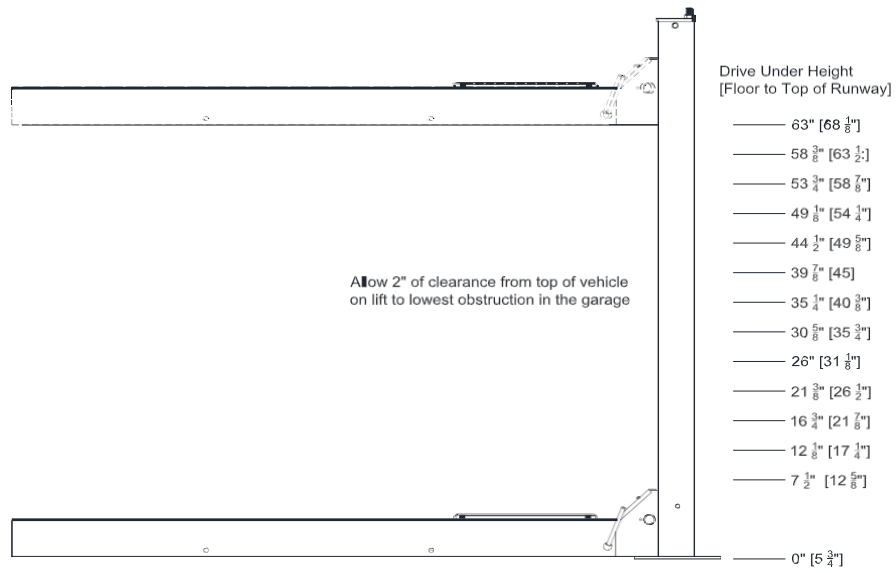
Q4P09ER - 50"

Optional Ramps Standard 36" Ramps

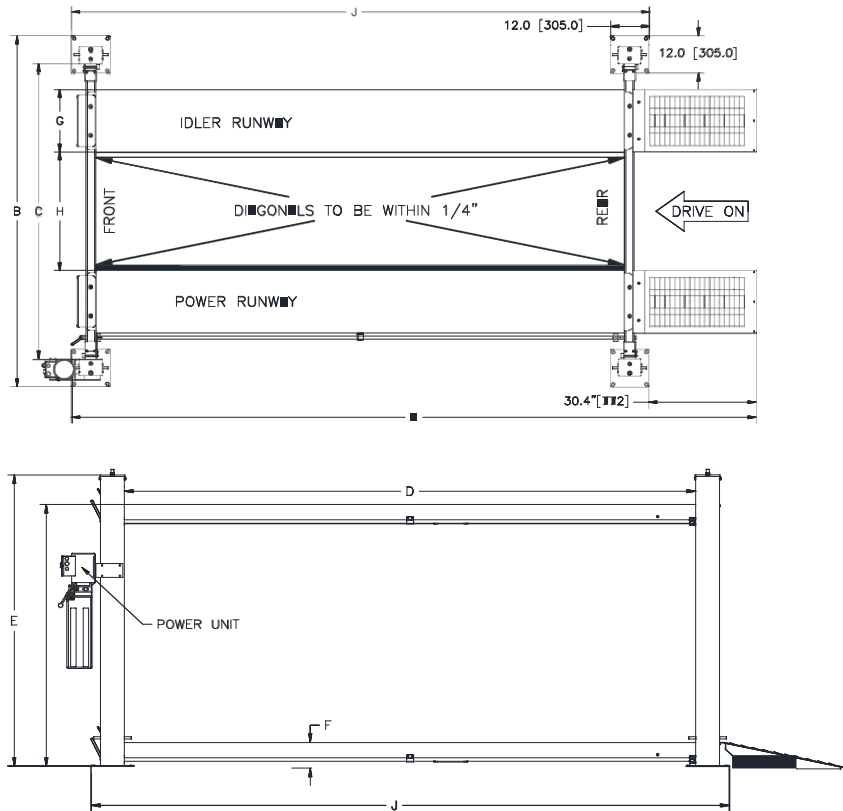
SPECIFICATIONS	ACV7	ACV9	ACV9X	ACV9W
A Length Overall	195½" [16'-3½"]	209½" [17'-5½"]	233½" [19'-5½"]	233 ½" [19'-5½"]
B Width Overall	100 1/2" (8'-4½")	112¼"	112¼"	127¼"
C Inside Columns	92 1/8"	95"	95"	110"
D Between Columns	147 ½" [12'-3½"]	160½" [13'-4½"]	184¾" [15'-4¾"]	184¾" [15'-4¾"]
E Height of Columns	79 ½"	84½"	96½"	96½"
F Height of Runways	5 ¾"	7"	7"	
G Width of Runways	20"		20"	
H Width Between Runways	38"		38"	
I Rise Height ⁽¹⁾	68½"	73¼"	85½"	85½"
J Length (Base Plate – Base Plate)	165"	179¼"	203½"	203½"
Lifting Capacity	7,000 lbs	9,000 lbs	9,000 lbs.	
Motor	1HP/2HP		1HP/2HP	
Voltage (Single Phase Std.)	115v/208-230v		115v/208-230v	
Speed of Rise (approximate)	120 Seconds/90 Seconds		120 Seconds/90 Seconds	
⁽¹⁾ Height underneath Runway	63"	67 ¾"	80"	80"



**Fig 1 – General Specifications and Service Bay Layout
(Power Unit location: Left Front as Shown or Right Rear)
ACV7 - General Specifications & Service Bay Layout**



ACV7 - Drive under heights on locks



ACV9 - General Specifications & Service Bay Layout

